

# ENVIROLINE® SERIES SINGLE-DOOR ENCLOSURES FOR FLANGE-MOUNTED DISCONNECTS

## Application

Designed to house most standard type disconnects. For outdoor applications a drip shield is recommended. For installation information, consult our installation manual at [www.saginawcontrol.com](http://www.saginawcontrol.com).

## Construction

- 0.075" carbon steel.
- Seams continuously welded and ground smooth.
- Flange trough collar around all sides of door opening.
- Pour in place oil and water resistant gasket.
- Collar studs provided for mounting optional subpanels.
- Disconnect cutout provided on flange.
- Concealed hinges.
- Doors are interchangeable and easily removed by pulling hinge pins.
- 3-point latching mechanism.
- Latches are opened or closed with a screwdriver (optional tamper-resistant inserts are available).
- Mounting holes on back of enclosure.
- Mounting hardware, sealing washers, and hole plugs included.
- Ground studs on door and body.
- Removable print pocket.
- Black zinc die cast coinproof/padlocking handle.
- Provision for Lifting Lugs included on enclosures with Height >48" and with Depth >16". Lifting Lug assembly will be included with the enclosure bolt pack and hole plugs provided to seal holes in bottom of enclosure.

Disconnect switch (or circuit breaker) and operating mechanism are not furnished with this enclosure.

## Finish

ANSI-61 gray powder coated inside and out. Optional subpanels powder coated white.

## IS3 Industry Standards

NEMA Type 3R, 12 & Type 13  
UL Listed Type 3R & 12  
CSA Type 3R & 12  
IEC 60529 IP55

## IS4 Industry Standards

NEMA Type 3R, 4, 12 & Type 13  
UL Listed Type 3R, 4 & 12  
CSA Type 3R, 4 & 12  
IEC 60529 IP66

\*\*\*To maintain Type 3R listing, drainage is required. Install equally rated drainage device or drill a 1/8 to 1/4 inch hole in the bottom center of the enclosure, approximately 1 inch from the right, and 1 inch from the left for drainage, use listed rain-tight or wet location hubs. Drip shield over the door is recommended for all outdoor applications.

Enclosure Product Code E3

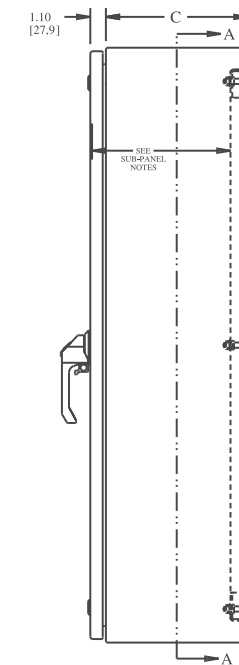
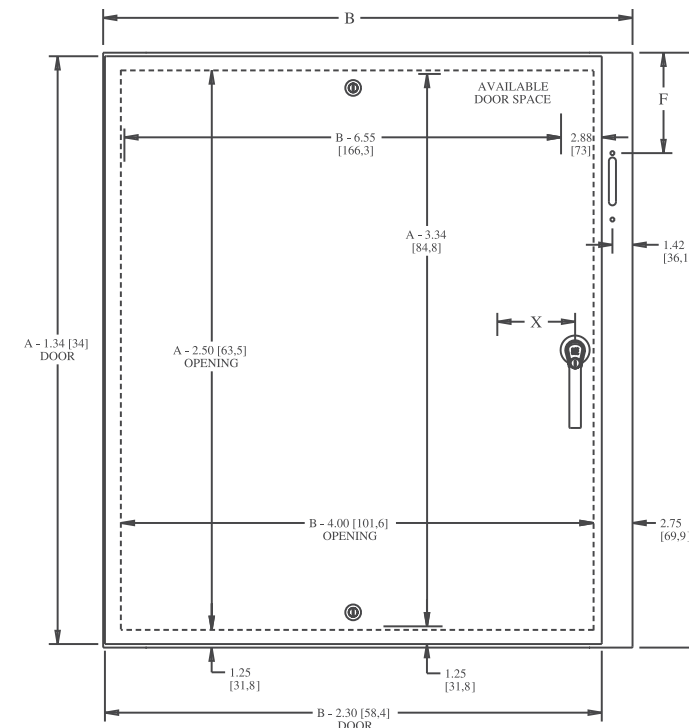
Subpanel (P3)

Catalog No.	Height (A)	Width (B)	Depth (C)	Industry Standard	Catalog No.	Panel Height (D)	Panel Width (E)
<a href="#">SCE-20XEL2108LP</a>	20.00	21.38	8.00	IS4	<a href="#">SCE-20P20</a>	17.00	17.00
<a href="#">SCE-20XEL2110LP</a>	20.00	21.38	10.00	IS4	<a href="#">SCE-20P20</a>	17.00	17.00
<a href="#">SCE-24XEL2108LP</a>	24.00	21.38	8.00	IS4	<a href="#">SCE-24P20</a>	21.00	17.00
<a href="#">SCE-24XEL2110LP</a>	24.00	21.38	10.00	IS4	<a href="#">SCE-24P20</a>	21.00	17.00
<a href="#">SCE-24XEL2508LP</a>	24.00	25.38	8.00	IS4	<a href="#">SCE-24P24</a>	21.00	21.00
<a href="#">SCE-24XEL2510LP</a>	24.00	25.38	10.00	IS4	<a href="#">SCE-24P24</a>	21.00	21.00
<a href="#">SCE-30XEL2108LP</a>	30.00	21.38	8.00	IS4	<a href="#">SCE-30P20</a>	27.00	17.00
<a href="#">SCE-30XEL2110LP</a>	30.00	21.38	10.00	IS4	<a href="#">SCE-30P20</a>	27.00	17.00
<a href="#">SCE-30XEL2508LP</a>	30.00	25.38	8.00	IS4	<a href="#">SCE-30P24</a>	27.00	21.00
<a href="#">SCE-30XEL2512LP</a>	30.00	25.38	12.00	IS4	<a href="#">SCE-30P24</a>	27.00	21.00
<a href="#">SCE-30XEL2510LP</a>	30.00	25.38	10.00	IS4	<a href="#">SCE-30P24</a>	27.00	21.00
<a href="#">SCE-36XEL2508LP</a>	36.00	25.38	8.00	IS4	<a href="#">SCE-36P24</a>	33.00	21.00
<a href="#">SCE-36XEL2510LP</a>	36.00	25.38	10.00	IS4	<a href="#">SCE-36P24</a>	33.00	21.00
<a href="#">SCE-36XEL3108LP</a>	36.00	31.38	8.00	IS4	<a href="#">SCE-36P30</a>	33.00	27.00
<a href="#">SCE-36XEL3110LP</a>	36.00	31.38	10.00	IS4	<a href="#">SCE-36P30</a>	33.00	27.00
<a href="#">SCE-36XEL3112LP</a>	36.00	31.38	12.00	IS4	<a href="#">SCE-36P30</a>	33.00	27.00
<a href="#">SCE-36XEL3116LP</a>	36.00	31.38	16.00	IS4	<a href="#">SCE-36P30</a>	33.00	27.00
<a href="#">SCE-42XEL3108LP</a>	42.00	31.38	8.00	IS4	<a href="#">SCE-42P30</a>	39.00	27.00
<a href="#">SCE-42XEL3110LP</a>	42.00	31.38	10.00	IS4	<a href="#">SCE-42P30</a>	39.00	27.00
<a href="#">SCE-42XEL3112LP</a>	42.00	31.38	12.00	IS4	<a href="#">SCE-42P30</a>	39.00	27.00
<a href="#">SCE-42XEL3116LP</a>	42.00	31.38	16.00	IS4	<a href="#">SCE-42P30</a>	39.00	27.00
<a href="#">SCE-42XEL3708LP</a>	42.00	37.38	8.00	IS4	<a href="#">SCE-42P36</a>	39.00	33.00
<a href="#">SCE-42XEL3710LP</a>	42.00	37.38	10.00	IS4	<a href="#">SCE-42P36</a>	39.00	33.00
<a href="#">SCE-42XEL3712LP</a>	42.00	37.38	12.00	IS4	<a href="#">SCE-42P36</a>	39.00	33.00
<a href="#">SCE-42XEL3712LP12</a>	42.00	37.38	12.00	IS3	<a href="#">SCE-42P36</a>	39.00	33.00
<a href="#">SCE-42XEL3716LP</a>	42.00	37.38	16.00	IS4	<a href="#">SCE-42P36</a>	39.00	33.00
<a href="#">SCE-48XEL2510LP</a>	48.00	25.38	10.00	IS4	<a href="#">SCE-48P24</a>	45.00	21.00
<a href="#">SCE-48XEL3708LP</a>	48.00	37.38	8.00	IS4	<a href="#">SCE-48P36</a>	45.00	33.00
<a href="#">SCE-48XEL3710LP</a>	48.00	37.38	10.00	IS4	<a href="#">SCE-48P36</a>	45.00	33.00
<a href="#">SCE-48XEL3712LP</a>	48.00	37.38	12.00	IS4	<a href="#">SCE-48P36</a>	45.00	33.00
<a href="#">SCE-48XEL3712LP12</a>	48.00	37.38	12.00	IS3	<a href="#">SCE-48P36</a>	45.00	33.00
<a href="#">SCE-48XEL3716LP</a>	48.00	37.38	16.00	IS4	<a href="#">SCE-48P36</a>	45.00	33.00
<a href="#">SCE-60XEL3708LP</a>	60.00	37.38	8.00	IS4	<a href="#">SCE-60P36</a>	57.00	33.00
<a href="#">SCE-60XEL3710LP</a>	60.00	37.38	10.00	IS4	<a href="#">SCE-60P36</a>	57.00	33.00
<a href="#">SCE-60XEL3712LP</a>	60.00	37.38	12.00	IS4	<a href="#">SCE-60P36</a>	57.00	33.00
<a href="#">SCE-60XEL3716LP</a>	60.00	37.38	16.00	IS4	<a href="#">SCE-60P36</a>	57.00	33.00
<a href="#">SCE-60XEL3716LP12</a>	60.00	37.38	16.00	IS3	<a href="#">SCE-60P36</a>	57.00	33.00

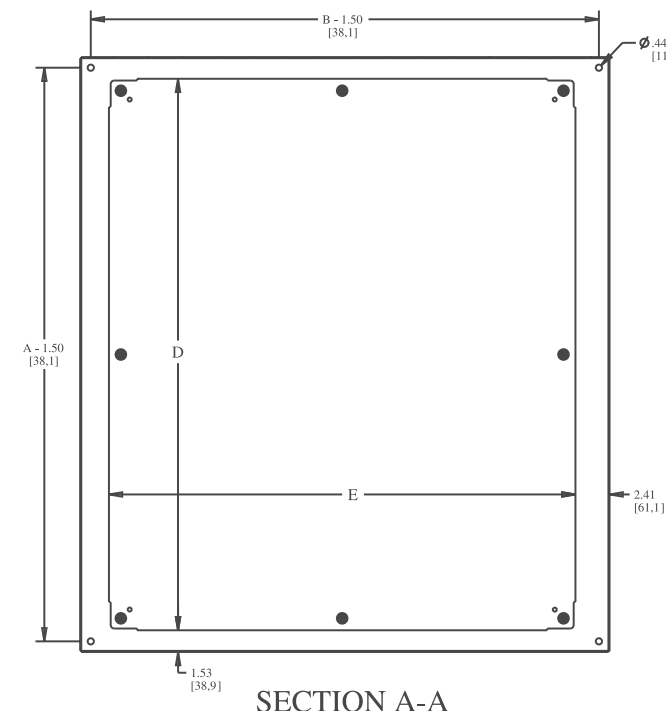
Part numbers that end in "LP12" omit center quarter turn latches on the top and bottom of the door



# ENVIROLINE® SERIES SINGLE-DOOR ENCLOSURES FOR FLANGE-MOUNTED DISCONNECTS TECHNICAL DATA



**SUB-PANEL NOTES:**  
Dimensions are from the inside of the door.  
C + .32 [8,1] for flat sub-panels  
C - .18 [4,5] for bent sub-panels



**DISCONNECT NOTES:**  
F = 4.75 [121] when C = 8.00 [203]  
F = 7.09 [180] when C = 10.00 [254]  
F = 11.62 [295] when C = 12.00 [304]  
F = 11.62 [295] when C = 16.00 [406]  
F = 18.38 [467] for SCE-60XEL3712LP4

**LATCH NOTES:**  
Omit center latch top and bottom of door when door width is <= 30.00" [762]

**HANDLE NOTES:**  
On enclosures <= 42.00 [1067]  
X = 5.50 [140] and use 5.00 [127] padlocking handle with coin-proof.

On enclosures > 42.00 [1067]  
X = 6.75 [171] and use 7.00 [178] padlocking handle with coin-proof.

Enclosures with a height dimension < 40.00 [1016] have a 2-point door closing mechanism.

Enclosures with a height dimension of >= 40.00 [1016] have a 3-point door latching mechanism.

**CONSTRUCTION NOTES:**  
Door will be 0.125 [3,1] thick material when enclosure height is >= 42.00 and door width is > 24.00